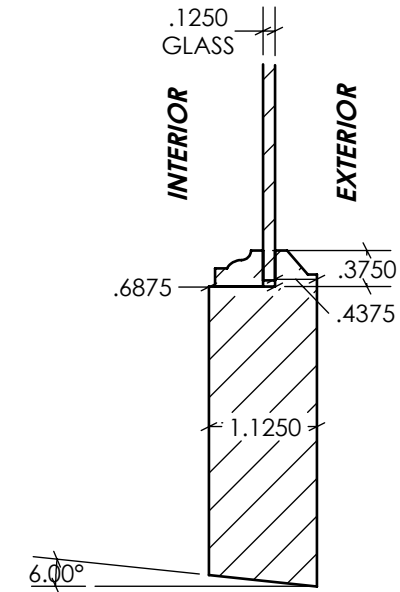
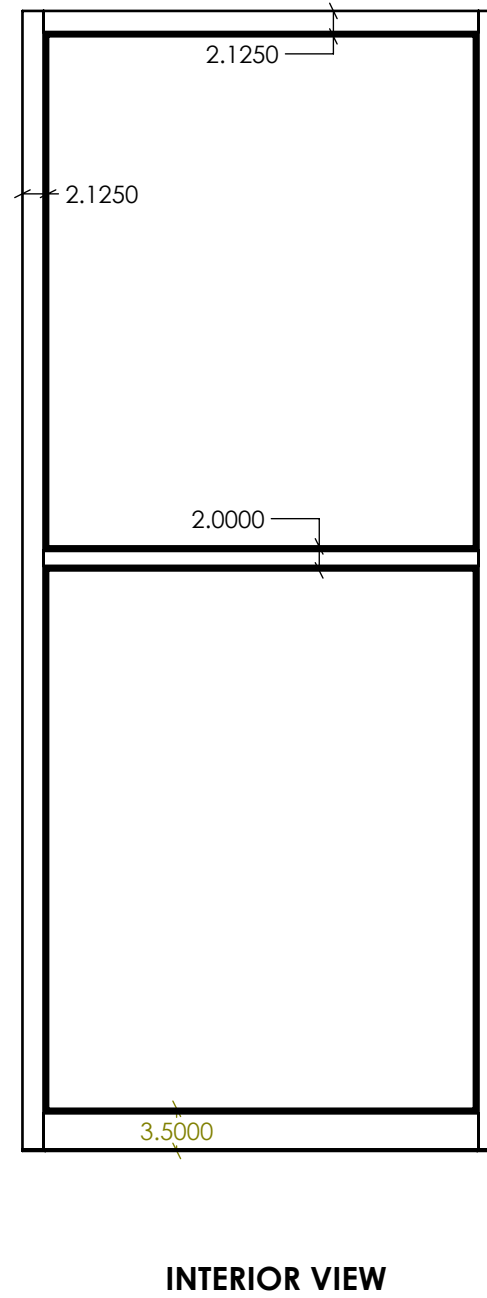
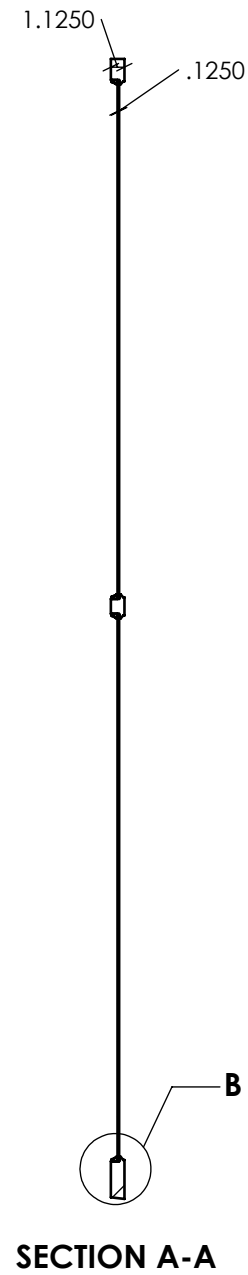
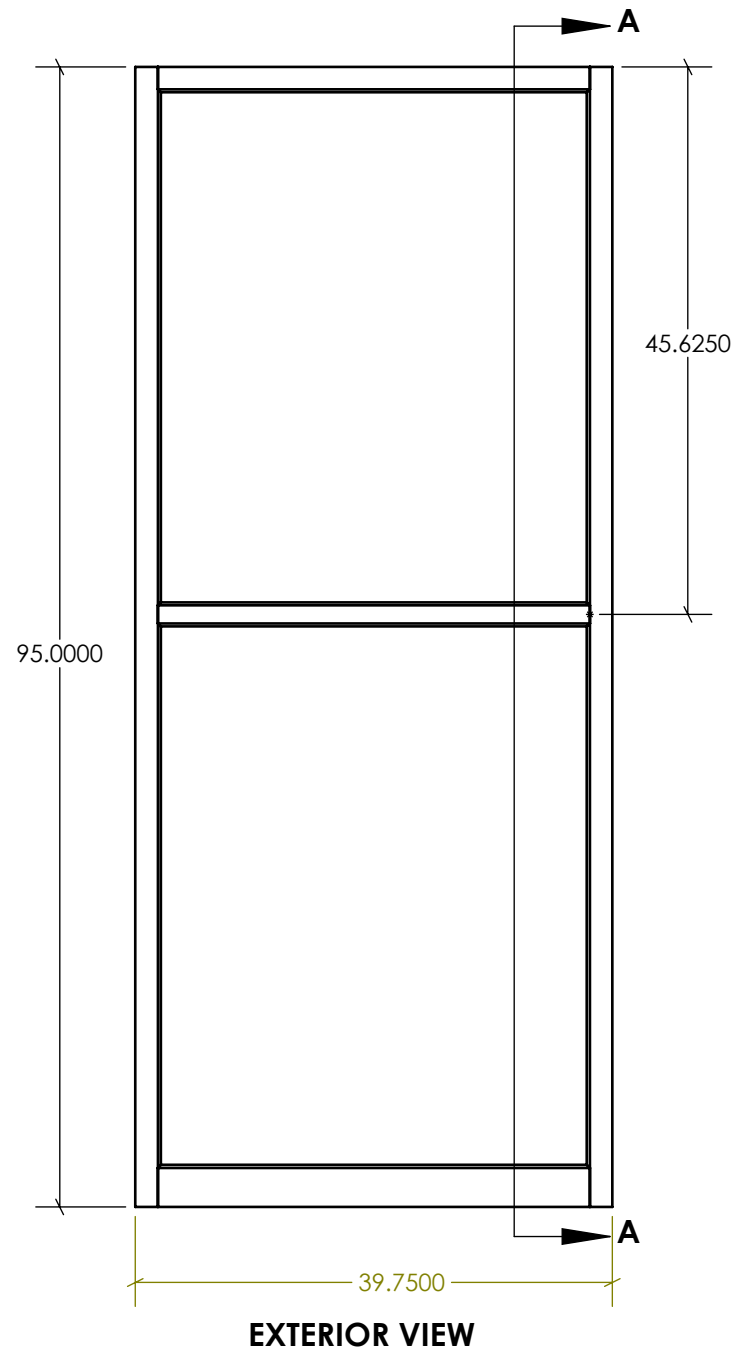



NOTES

1. Lumber = Northern White Pine
2. Glazing = 1/8" clear single pane glass
3. Finish = Preservative treatment & Oil-based primer
4. No hardware or machining for hardware

REVISIONS			
REV.	DESCRIPTION	DATE	DRAWN BY
A	INITIAL RELEASE	10/1/2019	APULS



UNLESS OTHERWISE SPECIFIED DIMENSIONS ARE IN INCHES		2225 Kerper Blvd. Dubuque, IA 52001 563-690-1358 p 563-557-8852 f	
		TITLE	
SHEET 1 OF 1	SIZE B	DWG #	Traditional Storm with Wood Stop
			REV A