



Project Spotlight:

Gothic Bell Tower Frames and Dormers

Sioux Falls, South Dakota

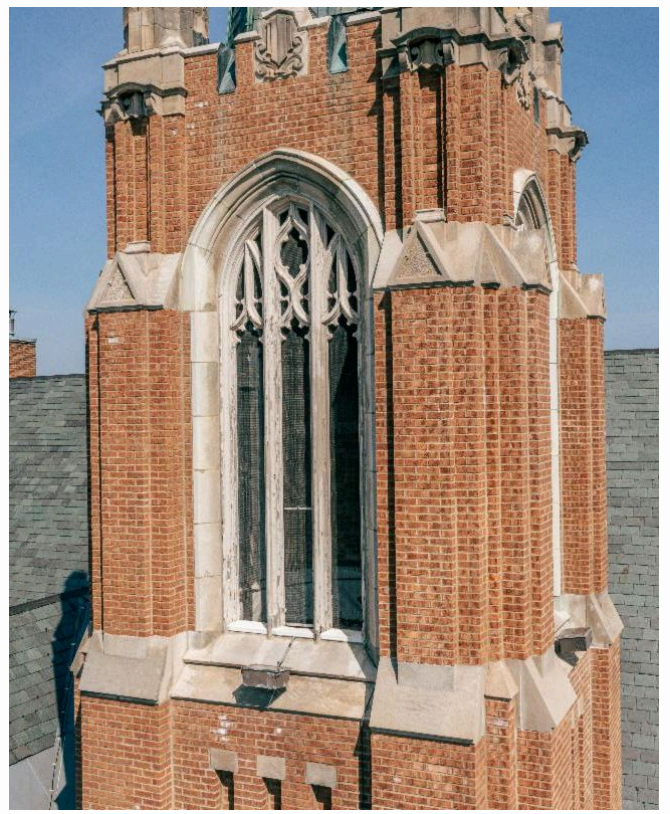
From Shop Floor to Steeple



Built in 1930, First Lutheran Church in Sioux Falls, South Dakota, holds almost 100 years of history. As three Norwegian Lutheran synods joined together, the church was built to meet the needs of the larger congregation that emerged. Due to the poor economic period, the construction was delayed almost 10 years to raise enough money for the huge project. To read more about the history of this remarkable church, click: [History](#).

First Lutheran Church & Journey Construction contacted Adams Architectural Millwork to repair and fabricate their dormers and belltower frames.

Before the Renovation



We fabricated four mahogany dormers and four matching frames, a project that fit squarely within our expertise. While the dormers showcased intricate craftsmanship, the bell tower frames presented a challenge of impressive scale. Standing over 15 feet tall and measuring 7 inches thick, these substantial structures demanded precision and skilled workmanship.

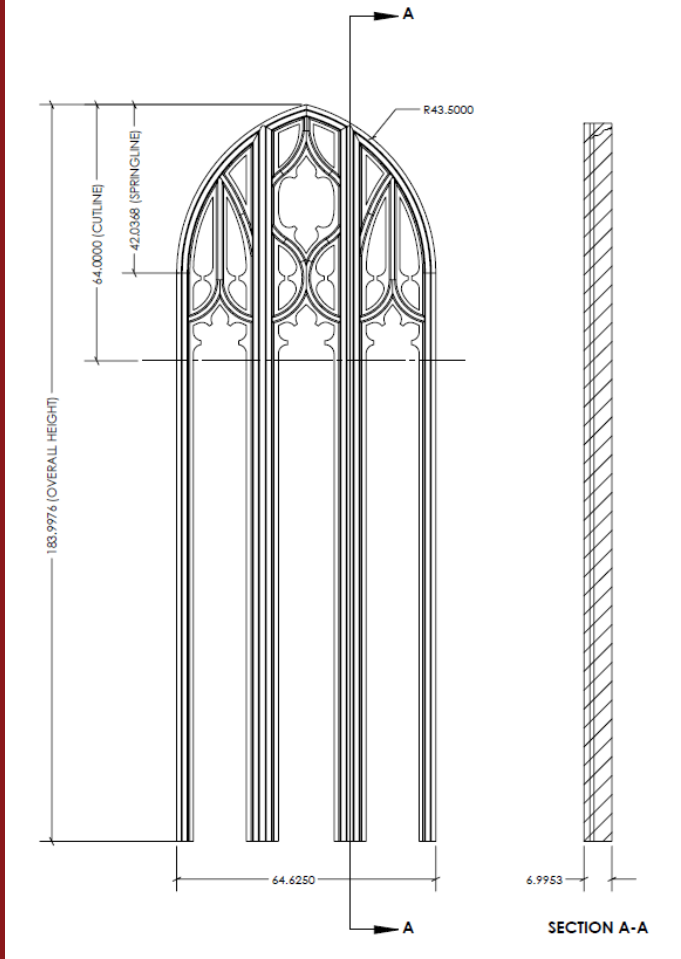
The steeple dormers required an even greater level of detail. Featuring extensive trim elements and an exceptionally steep roof pitch, they called for the fabrication of complex joinery that allowed for their distinctive slender, elongated profile while maintaining structural integrity.

Keeping the history in the bellfry was the priority, allowing the church to show off its heritage while ensuring grandiose and clean appearances.

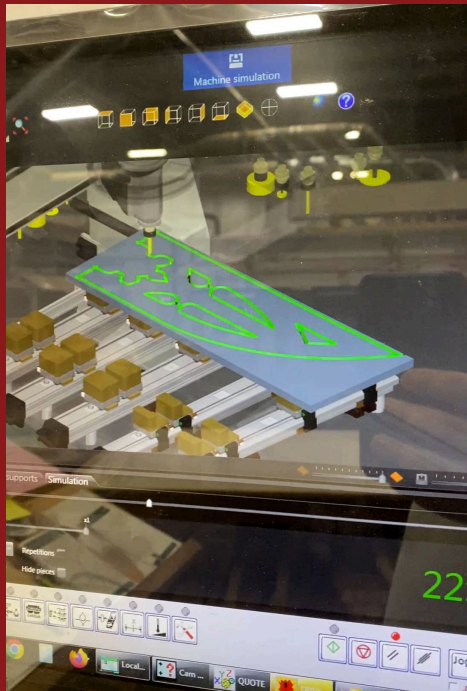
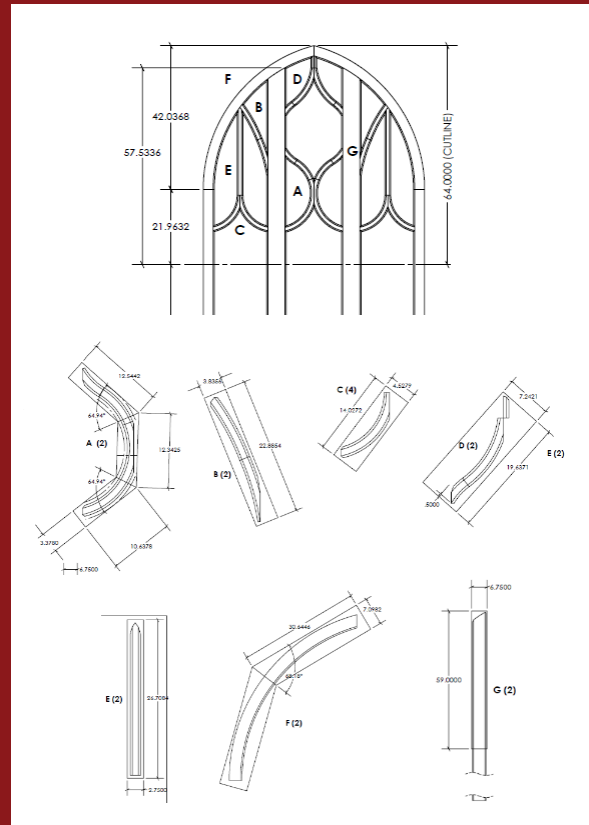


Before and after the dormers and bell tower Gothic frames were replaced.

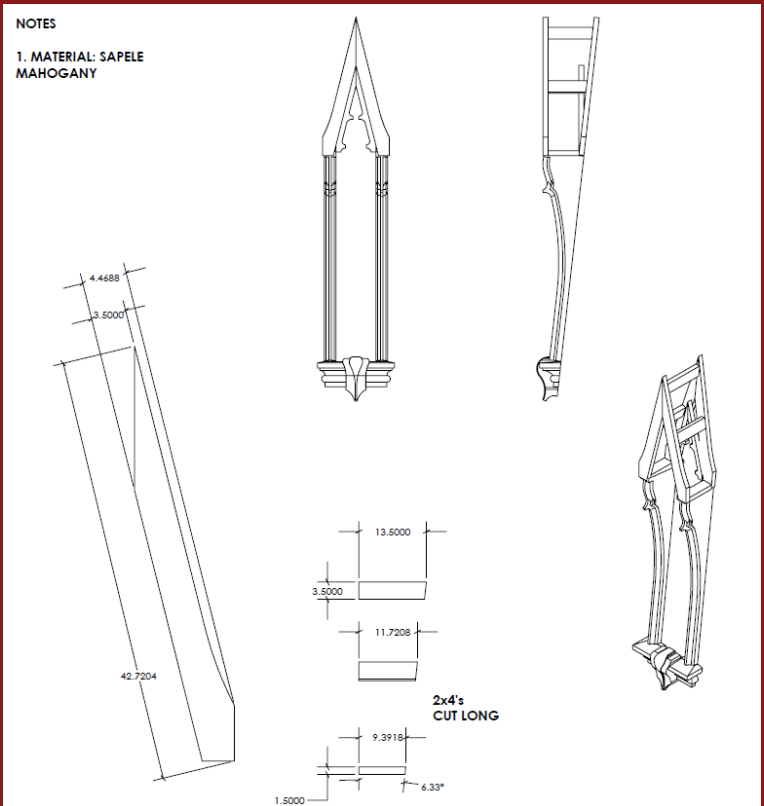
Fabrication Process

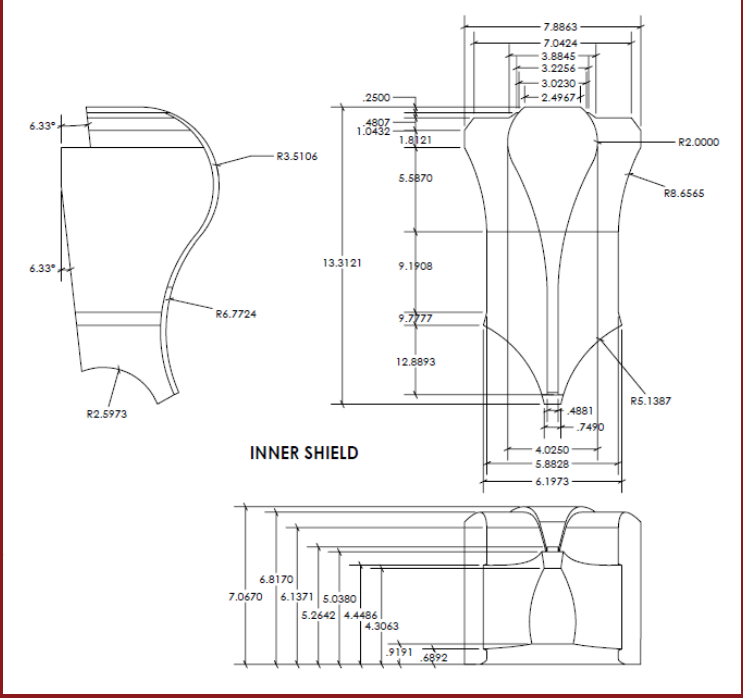
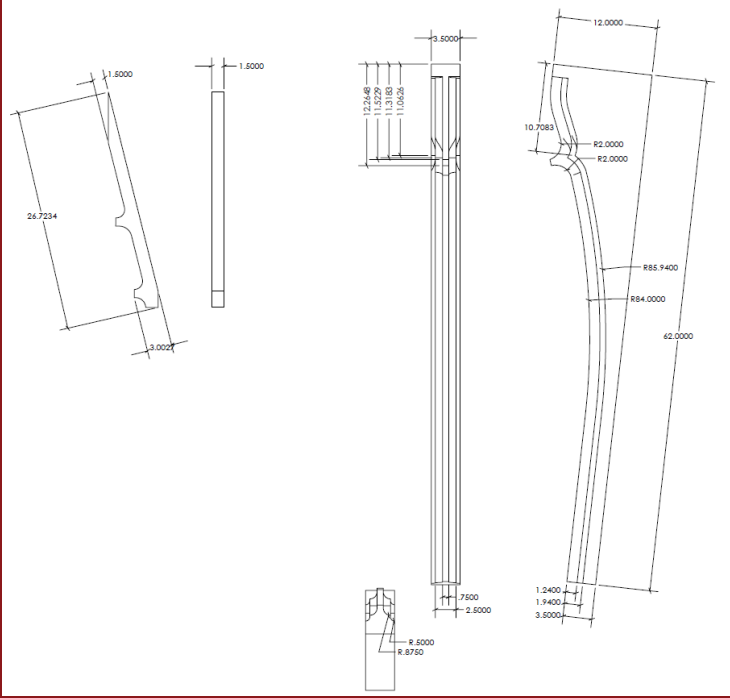


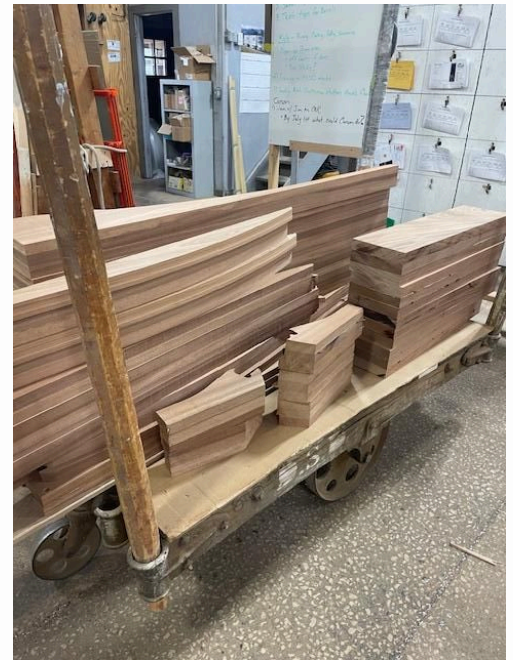
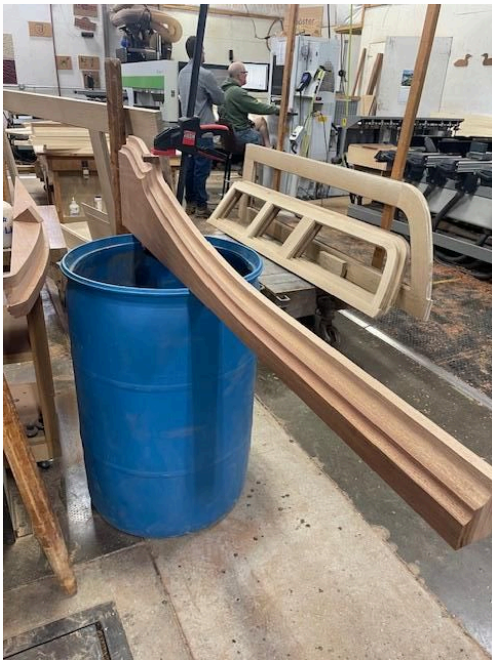
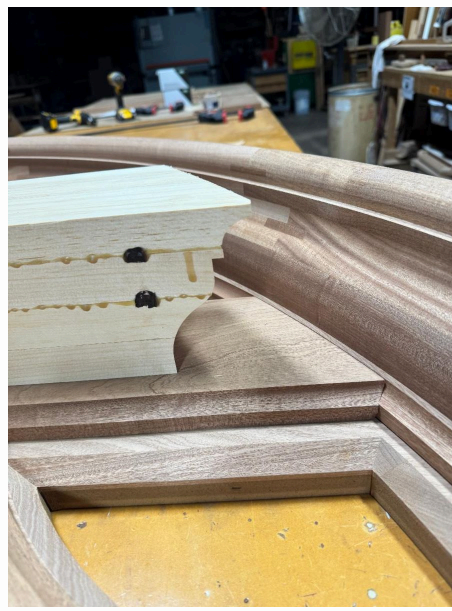
The bell tower's signature frames as drawn for the fabrication process. Adams crafted these frames from Mahogany, standing at 15' 3" and nearly 7" thick.



The CNC screen showing the cuts to be made for the bell tower frames.

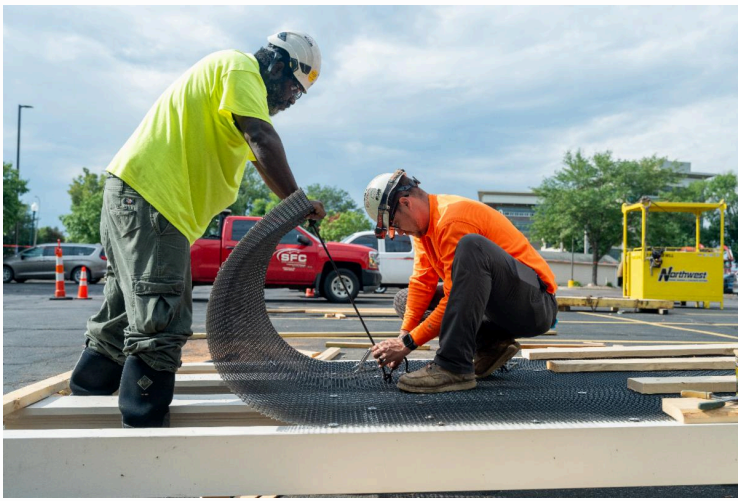






The Renovation of the Gothic Belfrey Windows

Below are some images of this project during its installation. The install was just as interesting as building the windows.







True-to-Period Millwork

Every frame and dormer we crafted was carefully designed to preserve the church's early 20th-century heritage, while meeting the durability, efficiency, and performance standards of today. That means quality wood products, seamless operation, and enduring beauty—without diminishing the story First Lutheran Church holds.

Custom Sizing and Detailing

Built for scale. Our craftsmen took meticulous measurements and recreated details to match original frames and dormers—honoring the imperfections of the past, but still ensuring the bold lines highlighted the history of the long standing church. From ornamental frames to timeless gable dormers, every detail was intentional.

A Transformation Rooted in Craft

This project wasn't just about upgrading bell tower features, it was about reviving a piece of the city's long-standing history. It's a perfect example of what happens when passionate craftspeople, visionary owners, and historically significant buildings come together with purpose.

The windows don't just frame the view—they tell the story.

[Click here to explore our collection of resources for our various products:](#)

Entry Doors Digital Brochure

Online Wooden Entry Door Collection

Storm Doors Digital Brochure

How to Measure for a Storm or Screen Door

Please Visit Our Sister Companies



Screendoors.com

Screen Doors, Hardware, and More



Americana DeVenco Shutters

Custom, American Made Interior and
Exterior Shutters



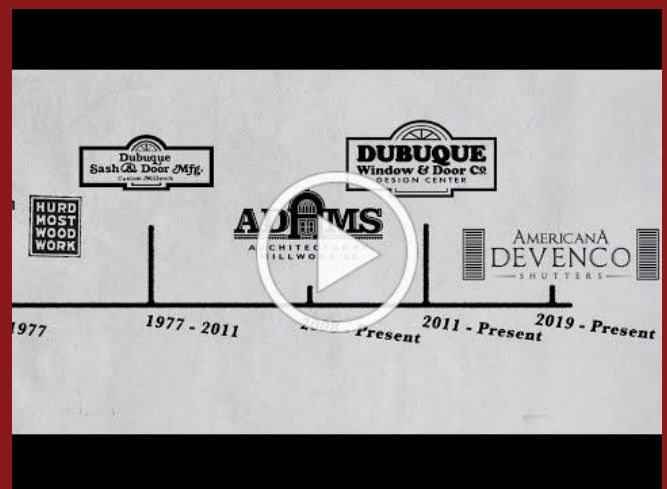
Your Next Step...Request a Quote

There are three different ways you can request an estimate for a new or replacement storm window:

1. Use our custom quote form: **Storm Window Custom Quote Form**
2. Complete the **Storm Window Measurement Form** and email it to us
3. Send an email with measurement information (width x height) and the type(s) of storm window you would like quoted to **info@adamsarch.com**

Our capabilities include manufacturing custom millwork for homes and buildings across the United States. We can fabricate products that most large window and door companies will refuse.

Please give us a call at 1.888.285.8120 or visit our website at www.adamsarch.com and get your transformation started today.



Adams Architectural Millwork Co.

2225 Kerper Blvd.
Dubuque, IA 52001
Toll Free 888-285-8120



Contact Us

Adams Architectural Millwork Co. | 2225 Kerper Blvd | Dubuque, IA 52001 US

[Unsubscribe](#) | [Update Profile](#) | [Constant Contact Data Notice](#)



Try email marketing for free today!